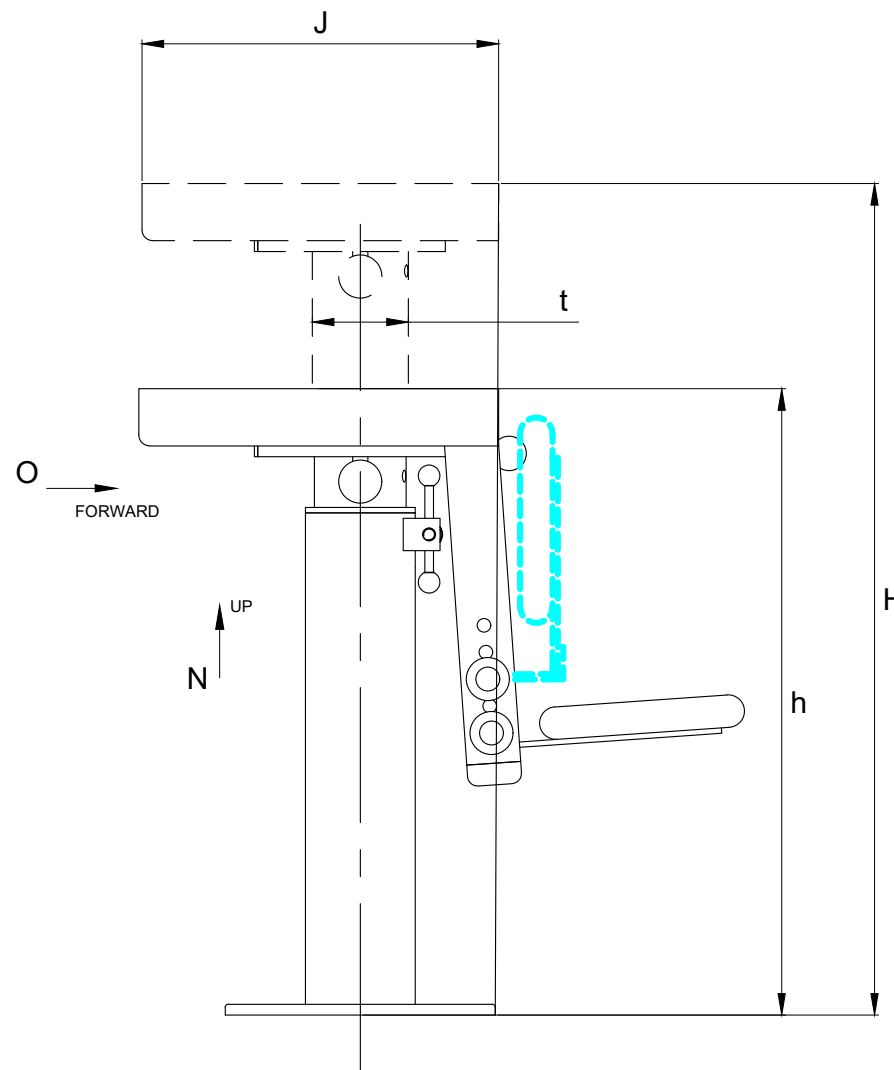
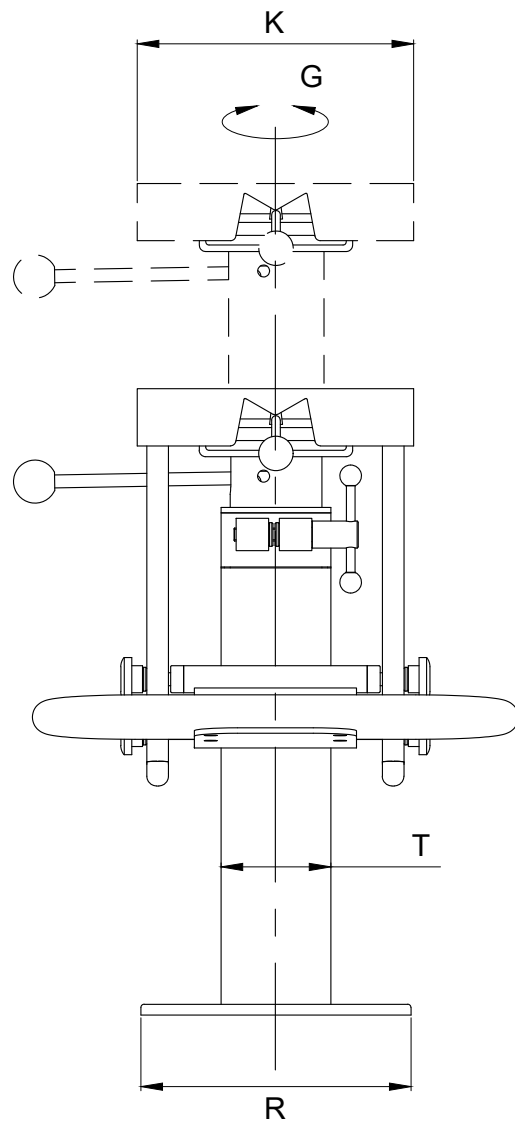


| | |
|-------------|-------|
| G (°) | 360 |
| h (mm) | 580 |
| H (mm) | 770 |
| J (mm) | 330 |
| K (mm) | 256 |
| N (mm) | 190 |
| O (mm) | ≈ 120 |
| R (mm) | ∅ 250 |
| t (mm) | ∅ 89 |
| T (mm) | ∅ 102 |
| Weight (Kg) | 22 |



Product
S 223 MG

Gas Assisted Helm Seat Pedestal